

Download Digital Tachograph Data...



Shown actual size

... into a removable memory card

LISLE
DESIGN

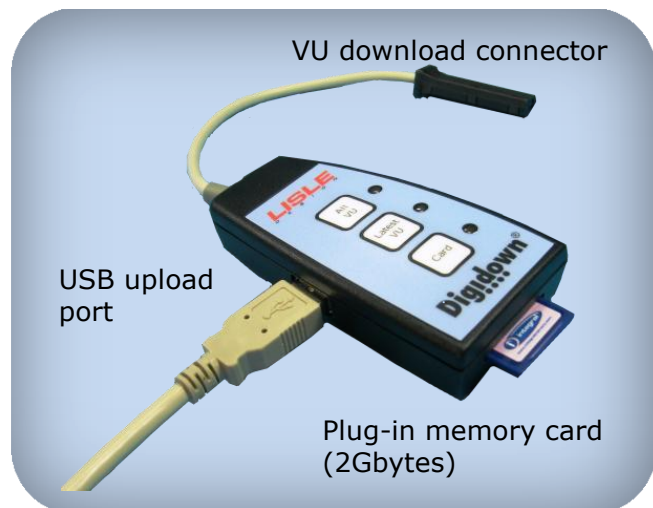
Digidown®

Digital Tachographs are mandatory in vehicles registered in the EU after 1 May 2006 and in vehicles registered in AETR countries registered after 31 December 2010. The regulations require regular downloading of data from digital tachograph vehicle units (VUs) and driver cards. The Digidown tool meets this need, providing an efficient, easy to use and low cost data download solution.

Whilst driver cards can be taken to a suitable computer-based download facility, VUs must be downloaded in the vehicles. Thus the download equipment must be easily portable.

Downloading must still be carried out whilst away from base, for instance on extended journeys. With the Digidown, data can be downloaded into a memory card and then the memory card can be sent back to base whilst retaining the facility to download next time using another memory card. Alternatively, the memory card with its contents can be kept for long-term storage of data.

Downloaded data is stored in files exactly as required by the Digital Tachograph Legislation. These files can be transferred into another computer either by plugging the memory card into a standard memory card reader or by connecting the Digidown to the USB port of the computer and copying files in the normal way.



Kit Contents

'Digidown' Download Device
2Gbytes memory card
USB upload cable
User instructions

Digital Tachograph Download Device

Features

- Interface and storage matches requirements of EU Regulation 3821/85 Annex 1B
- Robust self-coloured case
- No batteries needed
- Downloads all or part of the contents of a vehicle unit (VU) including activities, events/faults and detailed speed.
- Downloads driver cards via a VU (especially useful whilst away from home)
- Three buttons to select download type. Three LEDs to show status and progress.

Benefits

- Easy to store, easy to carry, easy to use
- Low cost
- User choice of download options
- Memory card removable for storage, sending back to base or retention as evidence
- Works with all Drivers hours and Working Time Analysis Software

Specifications

Size	100 x 50 x 25mm
Weight	Approx 80g
Cable lengths	Integral download cable - 200mm USB upload cable - 2m
Memory capacity	2Gbytes plug-in memory card supplied as standard

For more information contact:

Lisle Design Ltd, New Technology Centre,
North Haugh, St. Andrews KY16 9SR, Scotland
Tel +44 (0) 1334 471435
Fax+44 (0) 1334 471438
E-mail info@lisleddesign.com
Web www.lisleddesign.com